

ITEM #80056
LUNA GRANDE CHANDELIER (10 ARM)
INSTALLATION INSTRUCTIONS

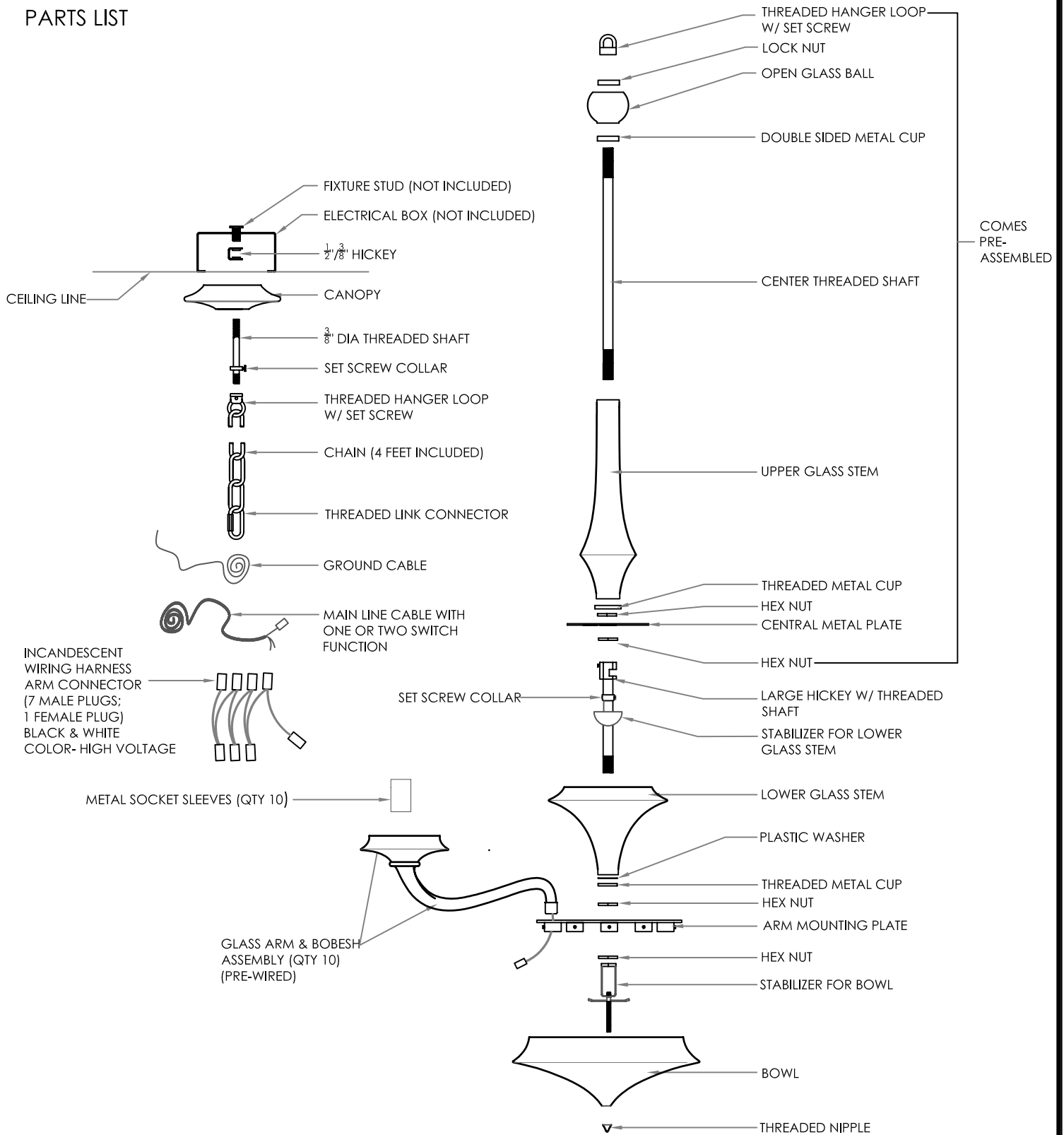
GENERAL INFORMATION:

OVERALL HEIGHT FROM TOP OF CANOPY TO BOTTOM OF PENDANT (W/ TWO LINKS): APPROX. 46"
OVERALL DIAMETER: APPROX. 60.5"
HANGING WEIGHT: APPROX. 75 LBS.

(10) LIGHT BULBS REQUIRED (NOT INCLUDED)
WITH SHADES: MAXIMUM 40 WATT/120V, A15 BULB WITH MEDIUM BASE, 3.5" H
WITHOUT SHADES: MAXIMUM 60 WATT/120V, A15 BULB WITH MEDIUM BASE

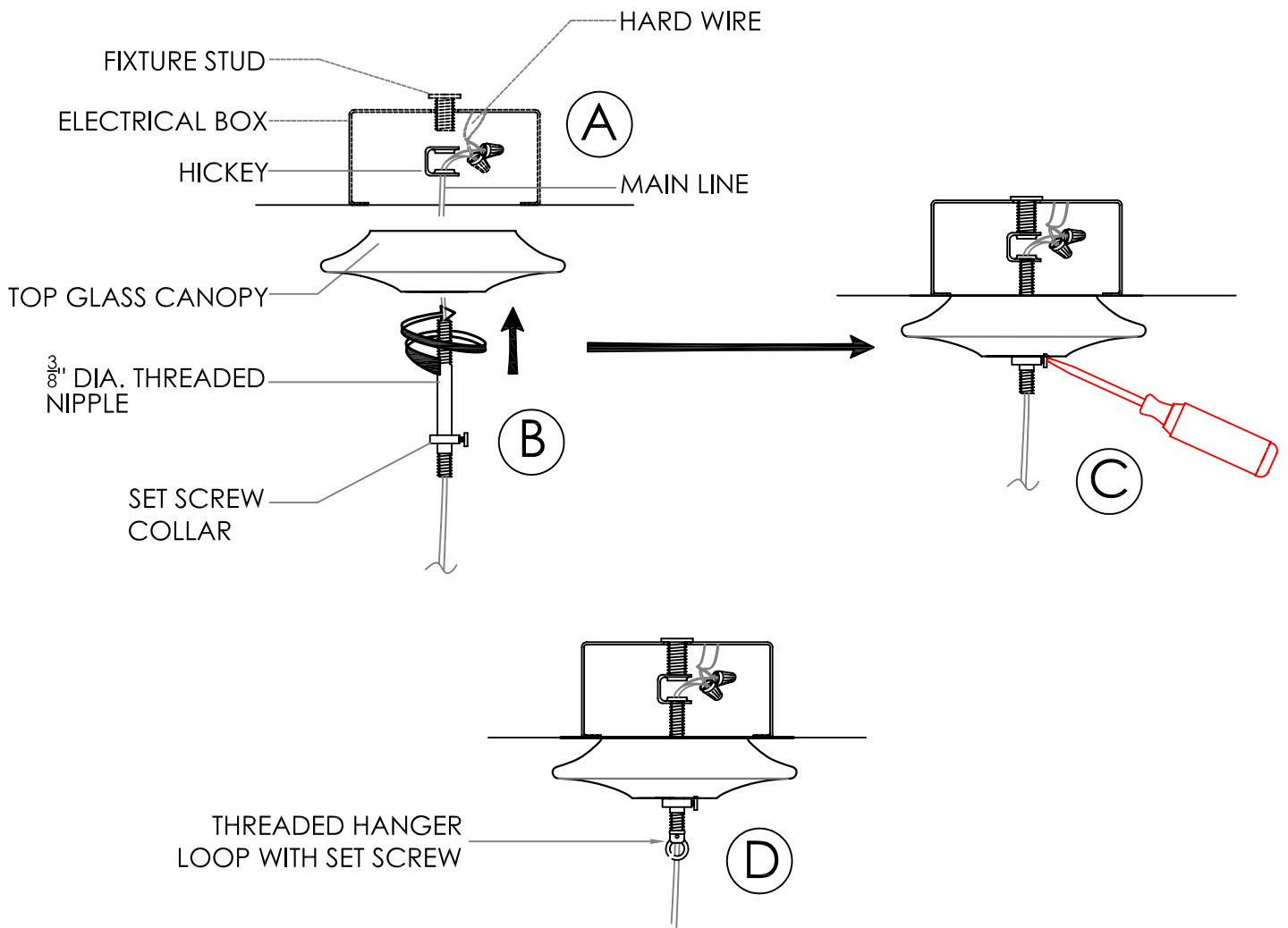
TO BE INSTALLED BY A LICENSED ELECTRICIAN ONLY

PARTS LIST



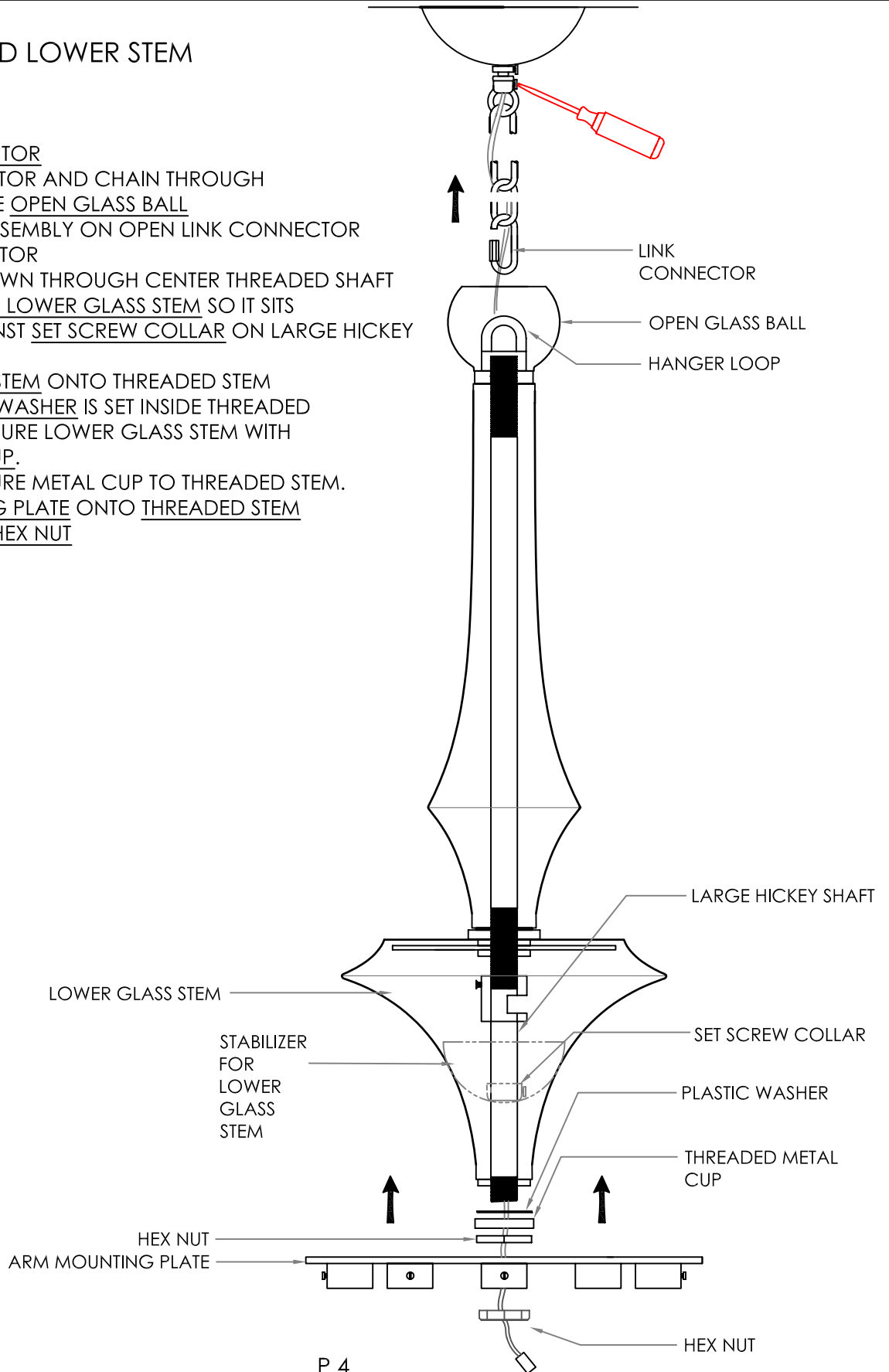
STEP 1: TOP CANOPY ASSEMBLY

- A) SCREW THE HICKEY TO THE FIXTURE STUD THEN CONNECT HARD WIRE TO MAIN LINE.
- B) RUN WIRE DOWN THROUGH GLASS CANOPY AND $\frac{3}{8}$ " DIA. THREADED SHAFT. RUN SHAFT THROUGH CANOPY AND SCREW INTO $\frac{3}{8}$ " DIA. HOLE IN HICKEY.
- C) SLIDE SET SCREW COLLAR UP TO HOLD GLASS CANOPY FLUSH ON THE CEILING SURFACE. TIGHTEN SET SCREW COLLAR.



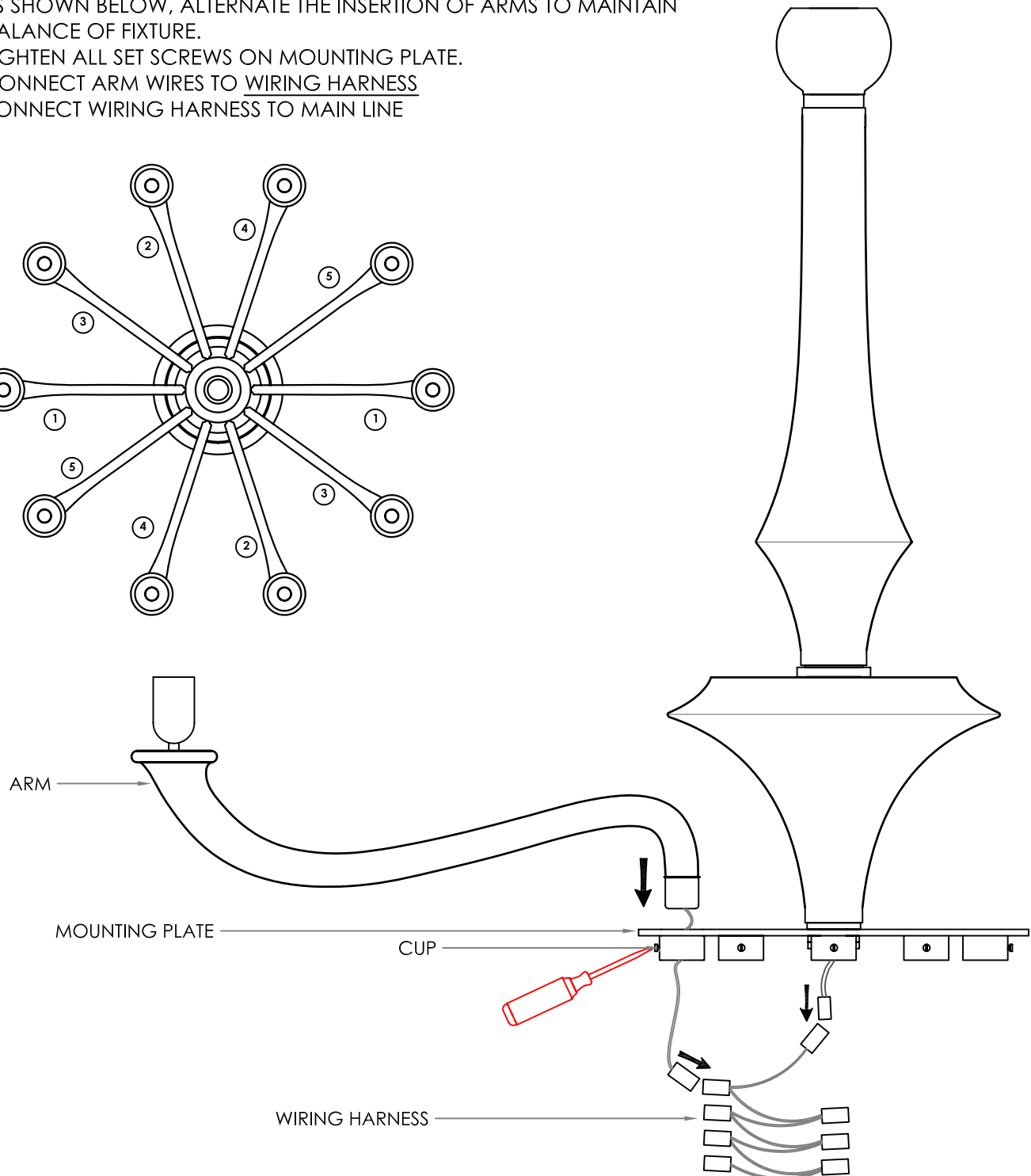
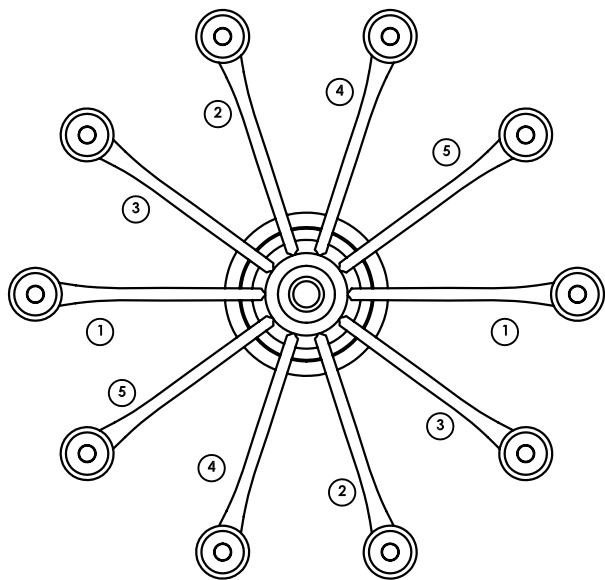
STEP 2: UPPER AND LOWER STEM ASSEMBLY

- A) OPEN LINK CONNECTOR
- B) INSERT LINK CONNECTOR AND CHAIN THROUGH HANGER LOOP INSIDE OPEN GLASS BALL
- C) HANG UPPER HUB ASSEMBLY ON OPEN LINK CONNECTOR
CLOSE LINK CONNECTOR
- D) INSERT MAIN LINE DOWN THROUGH CENTER THREADED SHAFT
- E) INSERT STABILIZER FOR LOWER GLASS STEM SO IT SITS BENEATH AND AGAINST SET SCREW COLLAR ON LARGE HICKEY SHAFT
- F) RAISE LOWER GLASS STEM ONTO THREADED STEM
- G) MAKE SURE PLASTIC WASHER IS SET INSIDE THREADED METAL CUP AND SECURE LOWER GLASS STEM WITH THREADED METAL CUP.
- H) USE HEX NUT TO SECURE METAL CUP TO THREADED STEM.
- I) RAISE ARM MOUNTING PLATE ONTO THREADED STEM
- J) SECURE PLATE WITH HEX NUT



STEP 3: ARM INSTALLATION & WIRING

- A)** CAREFULLY INSERT FIRST ARM INTO ARM MOUNTING PLATE, FEEDING ARM WIRES DOWN THROUGH CUP.
- B)** AS SHOWN BELOW, ALTERNATE THE INSERTION OF ARMS TO MAINTAIN BALANCE OF FIXTURE.
- C)** TIGHTEN ALL SET SCREWS ON MOUNTING PLATE.
- D)** CONNECT ARM WIRES TO WIRING HARNESS
- E)** CONNECT WIRING HARNESS TO MAIN LINE



STEP 4: GLASS BOWL & SOCKET LINERS

- A)** SCREW ON STABILIZER FOR BOWL AND INSERT BOWL THROUGH THREADED STEM OF STABILIZER.
- B)** RAISE BOWL TO COVER WIRING.
- C)** HOLDING BOWL IN PLACE, USE THREADED NIPPLE TO SECURE BOWL TO BOTTOM THREADING ON STABILIZER FOR BOWL -DO NOT OVER TIGHTEN
- D)** PLACE METAL SOCKET SLEEVE OVER EACH SOCKET, INSIDE BOBESH
- E)** INSTALL LIGHT BULBS AND TEST FOR CONNECTION

