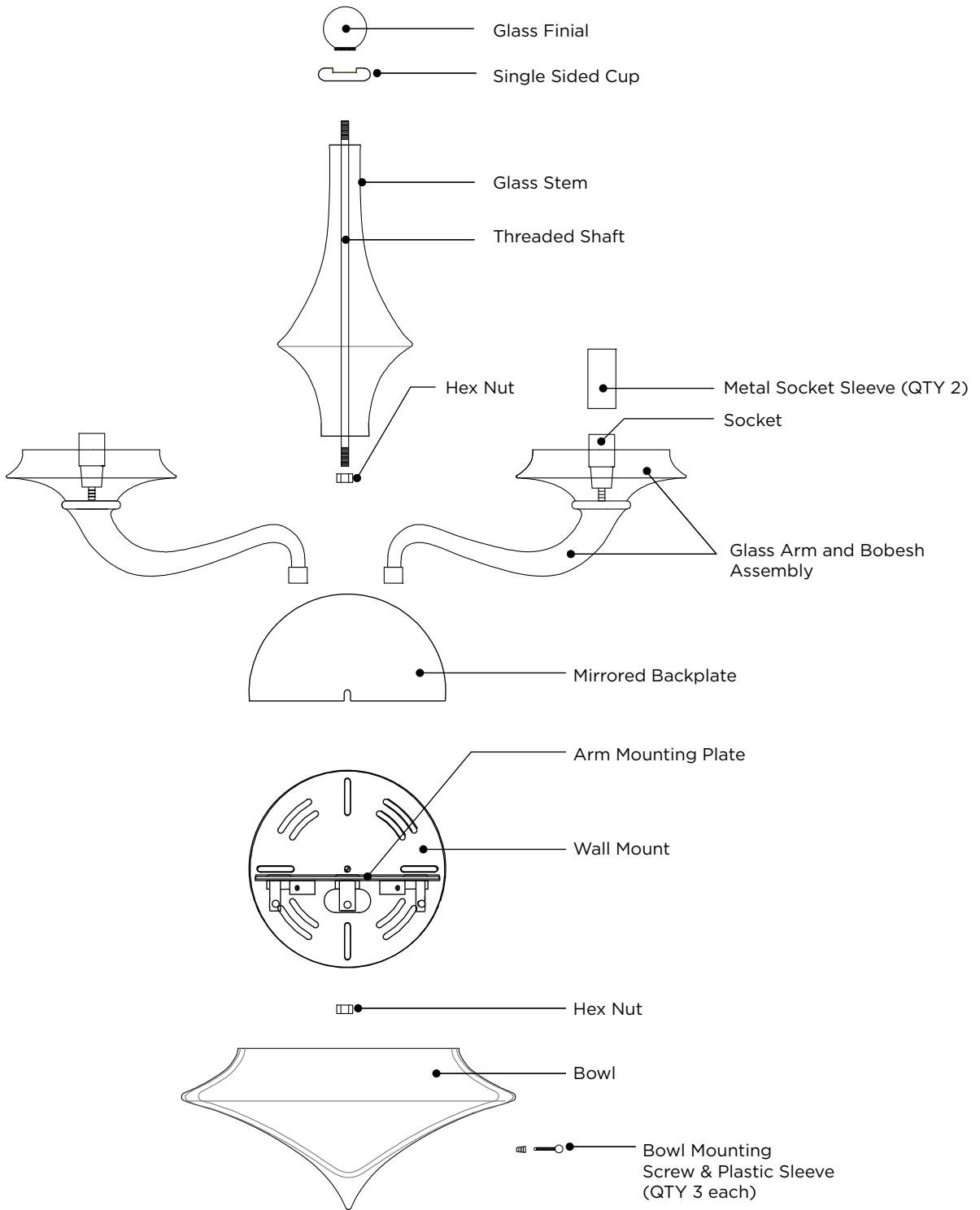


D O N G H I A

# 80060  
Luna Sconce  
Installation Instructions

To be installed by a licensed electrician only

# D O N G H I A

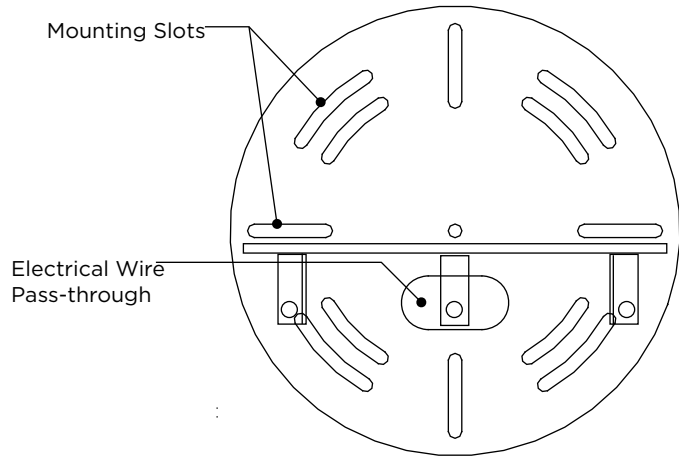


## Wall Mount Installation

### Step 1

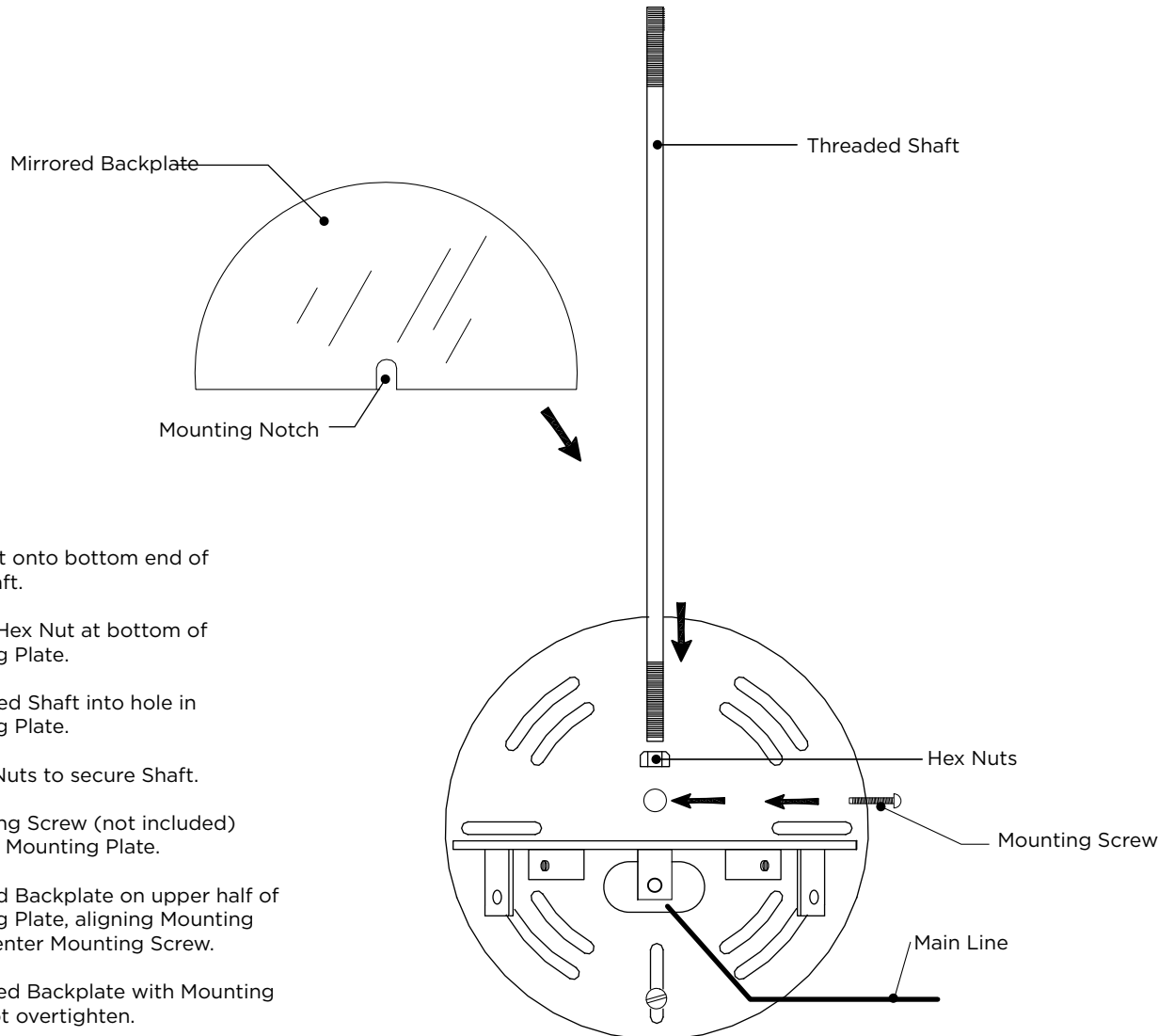
1. Pass Main Electrical Wire through center of Wall Mounting Plate.
2. Attach Wall Mount using Mounting Screws (not included) and appropriate Mounting Slots.

The Luna Sconce Wall Mount is designed to be used with a variety of junction box shapes and sizes. Screw/slot configuration may vary by application.



Wall Mount - Front View

## Threaded Shaft & Mirrored Back Plate Installation



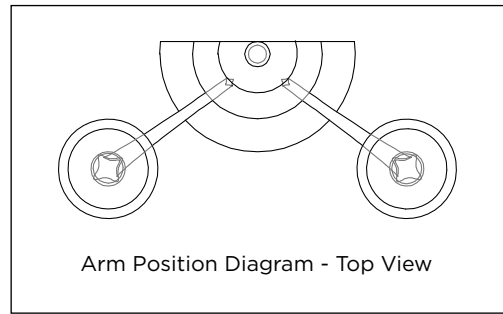
### Step 2

1. Screw Hex Nut onto bottom end of Threaded Shaft.
2. Hold second Hex Nut at bottom of Arm Mounting Plate.
3. Insert Threaded Shaft into hole in Arm Mounting Plate.
4. Tighten Hex Nuts to secure Shaft.
5. Insert Mounting Screw (not included) into center of Mounting Plate.
6. Place Mirrored Backplate on upper half of Wall Mounting Plate, aligning Mounting Notch with center Mounting Screw.
7. Secure Mirrored Backplate with Mounting Screw. Do not overtighten.

## Final Assembly

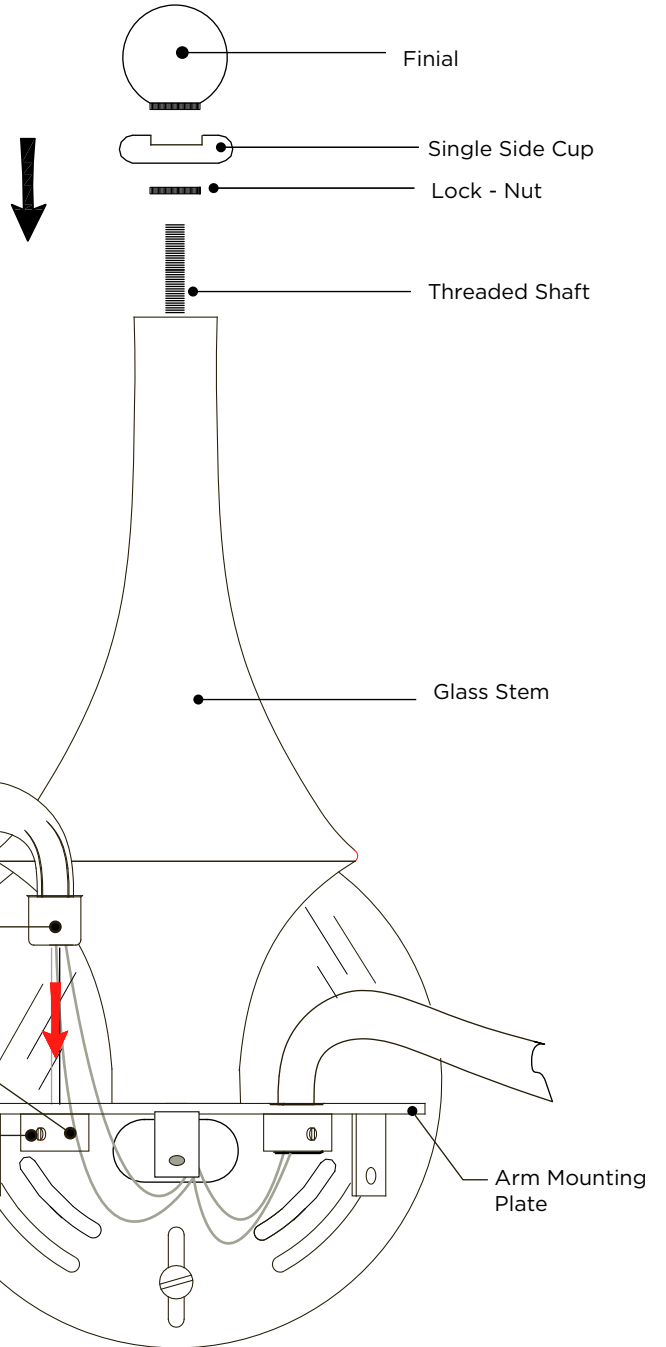
### Step 3

1. Place Glass Stem over Threaded Shaft, resting stem on Arm Mounting Plate.
2. Secure Glass Stem with Lock - nut. Do not overtighten.
3. Slide Single Sided Cup over Threaded Shaft.
4. Screw Finial on end of Shaft.



### Step 4

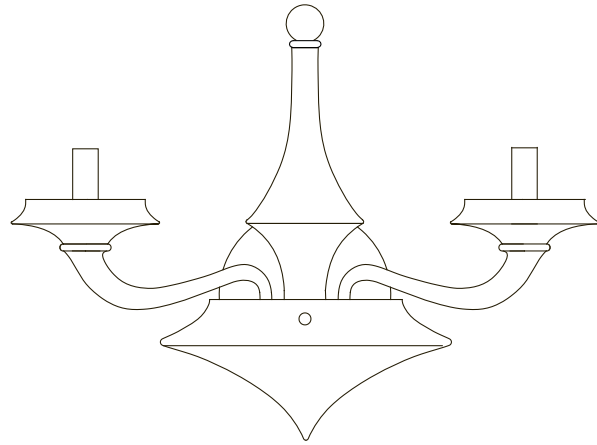
1. Insert arms into Mounting Plate
2. Follow diagram at top for correct arm position.
3. Secure Arms by tightening set screws on Mounting Holes.



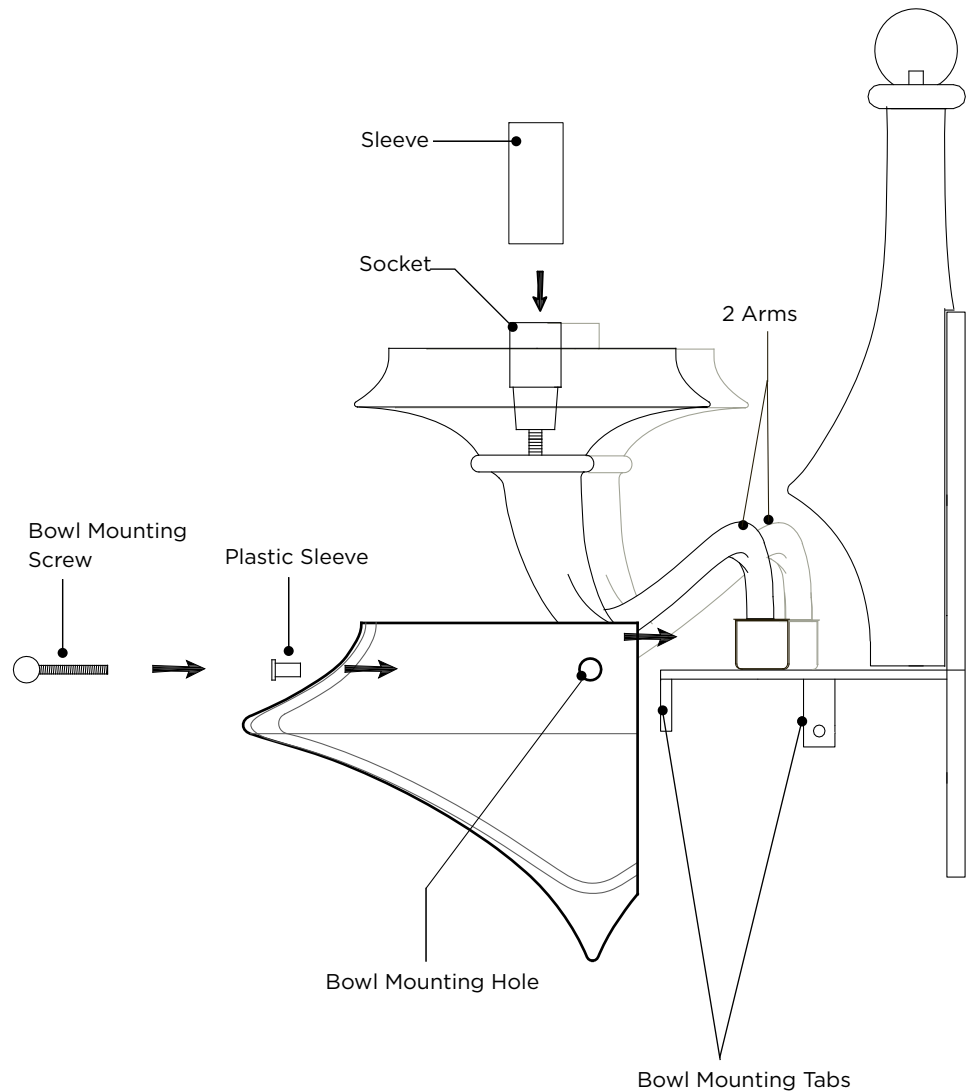
## Final Assembly (cont.)

### Step 5

1. Slide Bowl over completed wiring.
2. Align Mounting Holes on Bowl with Mounting Tabs.
3. Insert Bowl Mounting Screw with Plastic Sleeve into Bowl Mounting Hole. Do not overtighten.
4. Place Sleeves over Sockets on each arm.
5. Insert 60W torpedo bulbs with candelabra (E12) base if fixture is to be used without shades. If using shades, maximum wattage per socket is 40W.



FINAL ASSEMBLY - Front View



FINAL ASSEMBLY - Side View

• Wiring omitted for clarity