

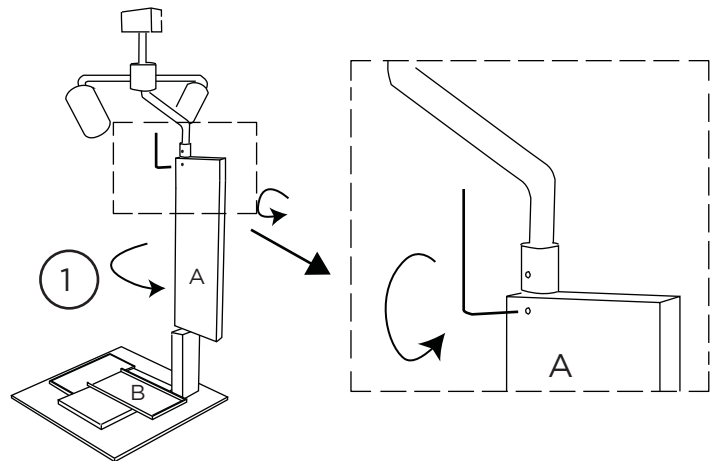
#80087 Labyrinth Lamp Installation Instructions

HANDLE WITH CARE!

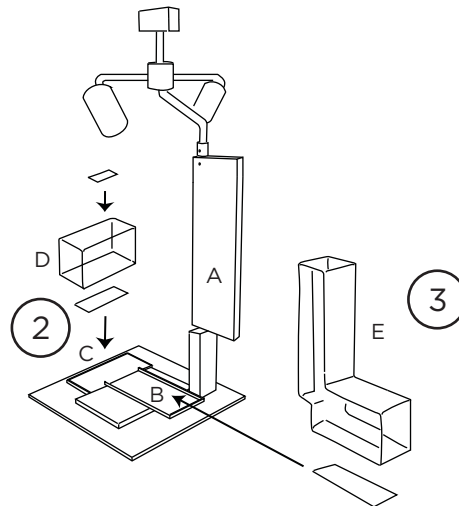
The glass blocks are freestanding and therefore can slide off of the metal base when the lamp is tilted. When relocating the lamp remove the glass blocks first. Place the glass blocks back in only after the body of the lamp is situated on a flat surface.

This lamp can be displayed facing any directions. The cord can exit from any four corners of the base.

1. Loosen the bottom set screw at the upper part of metal column (A) with an allen key (included). Turn the upper column (A) counter-clockwise in order to clear the space above the metal plate (B).



2. Place the clear liner strip on the lower metal plate (C) and then place the small glass block (D) on top.



3. Place the clear liner strip on the upper metal plate (B) and another strip over the small glass block (D). Place the L-shaped glass block (E) over the strips. The shorter end of the "L" shape should sit horizontally within the metal plate (B).

4. Turn the upper column (A) clockwise and position it over the L shaped glass block (E). Tighten the bottom set screw at the upper part of metal column with an allen key.

