

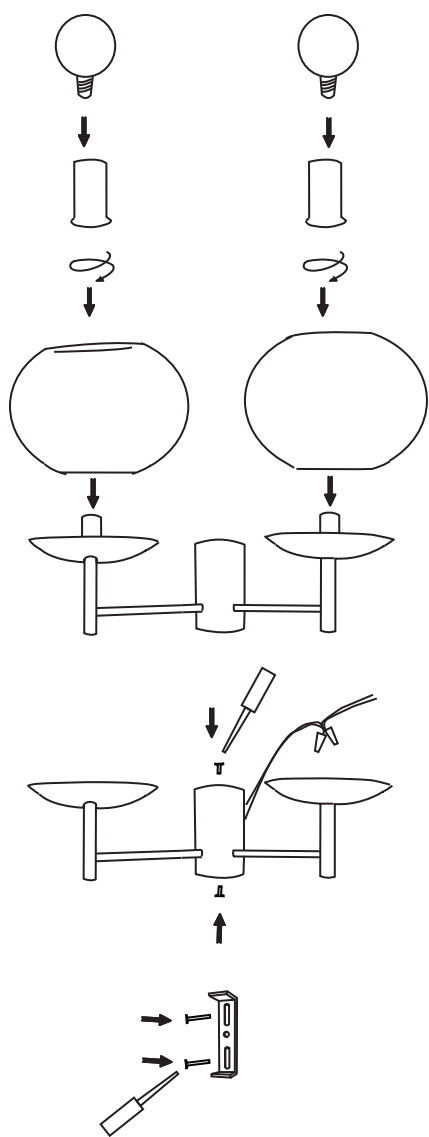
# D O N G H I A

## #80200 Renaldo Sconce Installation Instructions

Item weight 14 LB (6 kg)

light bulbs (not included) 2 bulbs required  
Candelabra base (USA)  
E14 base (Euro)  
60W max  
Suggested: G16 25w Clear

\*Sconce must be installed and wired by licensed electrician.



- 1 Attach bracket.
- 2 Connect electrical cables.\*
- 3 Mount metal frame.
- 4 Place glass globes over metal frame
- 5 Place socket covers gently. Too much pressure may damage the glass globes.
- 6 Place bulbs.